

MODEL 1800

# CHAMP



\* Optional  
"Swing Harp"  
cuts cheese  
horizontally for  
three dimensional  
portioning

## GENMAC

*A Division of 5 Point Fabrication, LLC.*  
1680 Cornell Road | Green Bay, WI 54313

PHONE (920) 458-2189

FAX (920) 458-8316

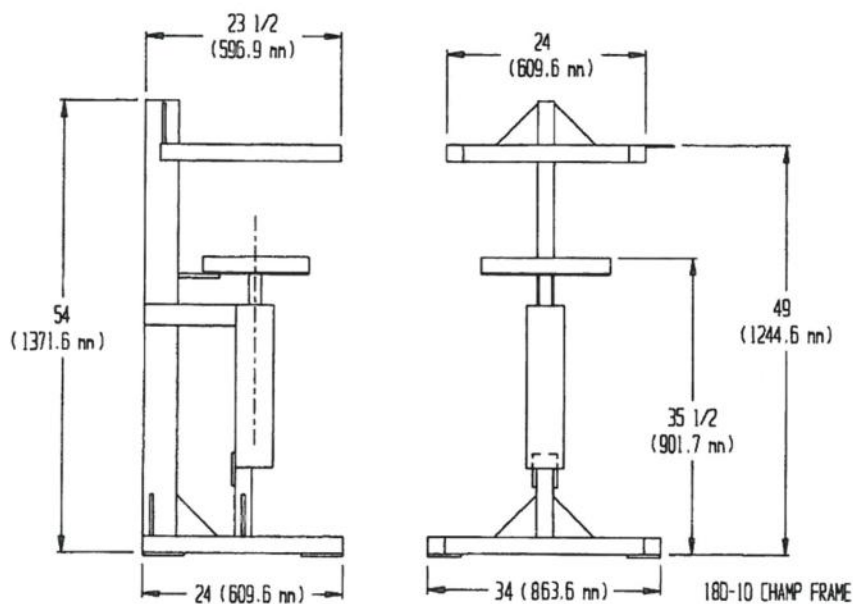
EMAIL [Sales@genmac.com](mailto:Sales@genmac.com)



# MODEL 1800

## CHAMP

- Designed as the most rugged, compact, low cost cheese cutter of its kind on the market, the **MODEL 1800 CHAMP** - a single stage cutter - has two directional portioning capability with an optional one or two wire swing harp.
- Quick change cutting frames and platens adapt the **MODEL 1800 CHAMP** to various portioning requirements. Open construction permits safe convenient loading. Toggle switch control raises, lowers, and holds feed platen at any desired level. Platen speed and pressure are regulated for maximum efficiency.
- Even when cutting needs are small, the **MODEL 1800 CHAMP** can have a dynamic effect. Fine portioning enhances sales appeal. Less handling minimizes bacteria and improves quality. Fast cutting quickly frees an employee for other work. Maintenance is minimal.
- **MODEL 1800 CHAMP** Cheese cutter for wire cuttable products up to 7" x 11" x 14". Pneumatic feed 80PSI, toggle switch speed and pressure control, unitized frame. Floor space is approx. 24" x 34".



WWW.GENMAC.COM