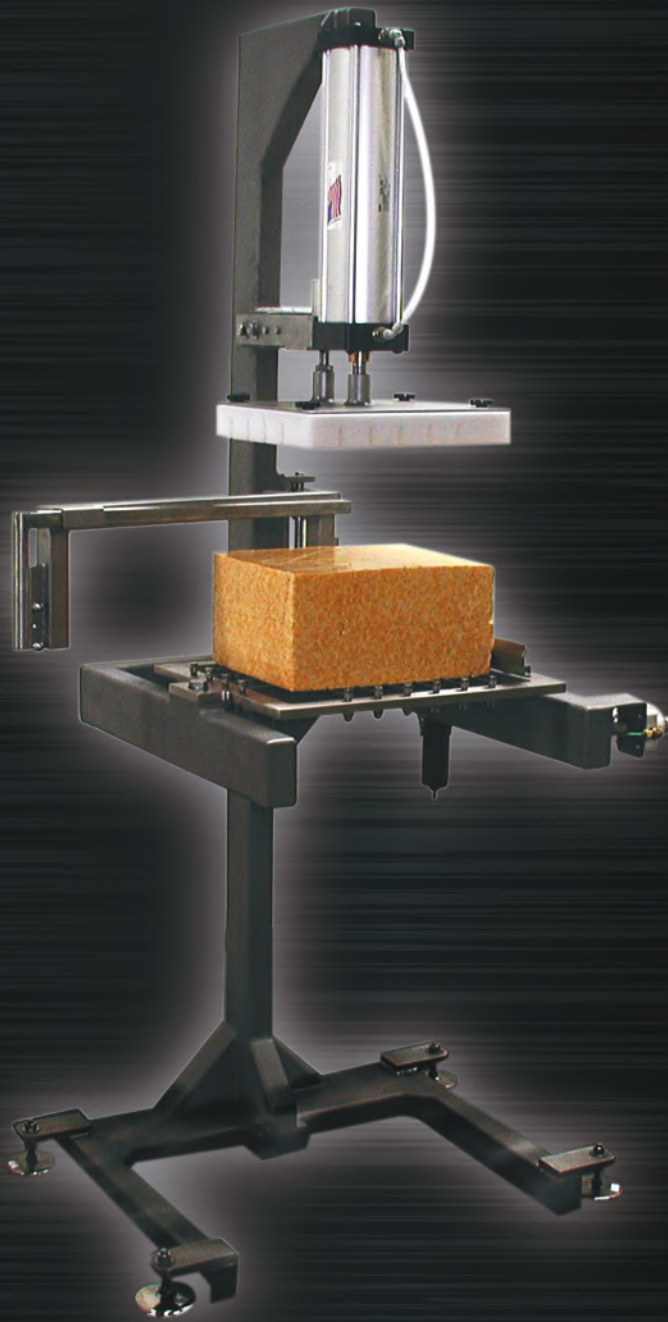


MODEL 1810

CHAMP



GENMAC

A Division of 5 Point Fabrication, LLC.
1680 Cornell Road | Green Bay, WI 54313

PHONE (920) 458-2189

FAX (920) 458-8316

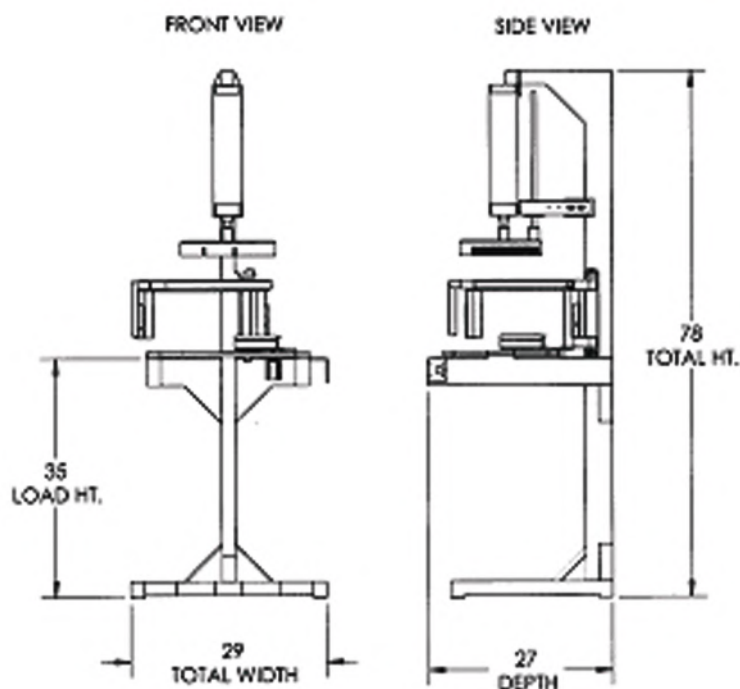
EMAIL Sales@genmac.com



MODEL 1810

CHAMP

- The **Model 1810 Champ** is designed to portion cheese blocks quickly, accurately, economically, and take up little floor space.
- The **Model 1810** employs one direction cutting with optimal 1 wire or 2 wire manual horizontal swing harp. This swing harp gives the 1810 a two directional cut capability. The cheese blocks cut downward through a wire harp and directly into a tote box, cart, or conveyor.
- The **Model 1810** is pneumatically operated using 4CFM at 80 PSI. Standard wire harps equipped to cut 7" x 11" x 14" (18cm x 28cm x 36cm) blocks. Larger capacity machines available.
- Construction is seamless welded 304 stainless steel tubing.



WWW.GENMAC.COM