

**MODEL 1820**

# HORIZONTAL CHAMP



## **GENMAC**

*A Division of 5 Point Fabrication, LLC.*  
1680 Cornell Road | Green Bay, WI 54313

**PHONE** (920) 458-2189

**FAX** (920) 458-8316

**EMAIL** Sales@genmac.com

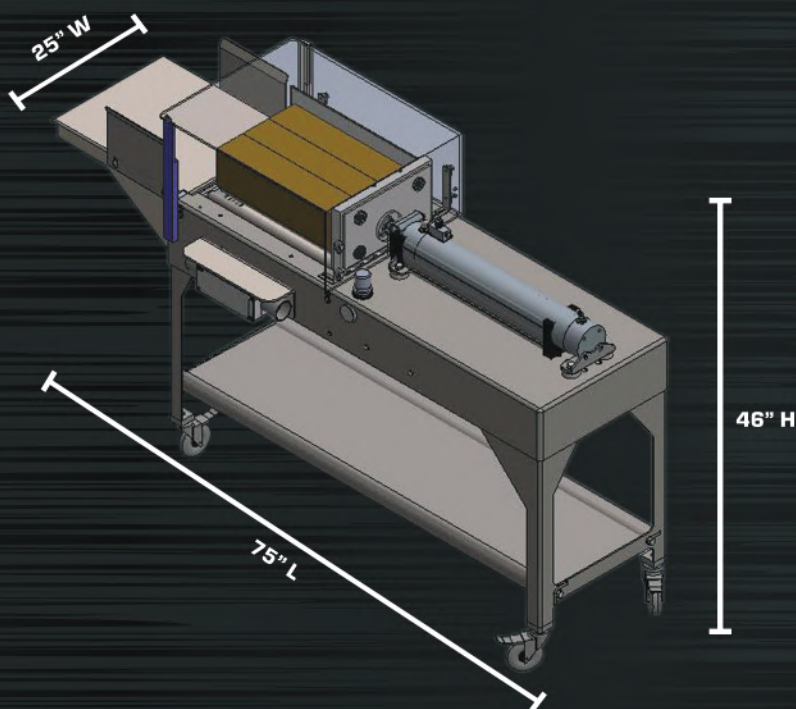


# MODEL 1820

## HORIZONTAL CHAMP

The Model 1820 Horizontal Champ is designed to **cut cheese blocks or wire cuttable product into uniform portions** for retail purposes, or portions for further processing, like dicing, shredding, and melting/blending.

- Product can be cut in any direction, (14" side, 11" side, or 7" side).
- Harp is easily removed for cleaning and wire change.
- It comes with an adjustable speed control.
- The 1820 uses 4 CFM @ 80PSI of air to operate.
- The cheese cutter has a compact design, overall foot print 23.5" x 45.5" x 70", all stainless steel frame and manufactured parts, with 100% wash down components.
- It can be moved around by two people, without the need for a dolly or lift truck.
- Product load height and discharge are the same at 35". The height is adjustable with leveling pads or casters to accommodate various discharge methods.
- The 1820 uses a two hand, anti tie down control unit, while the cutter is in motion. This prevents operator interaction while the machine is cutting. The pusher returns to home position immediately upon release of the anti-tie down control, allowing loading while unloading product, reducing production time. The Model 1820 can be configured for left hand loading.



[WWW.GENMAC.COM](http://WWW.GENMAC.COM)