

MODEL 3000

TU-WAY AUTOMATIC PORTIONER



GENMAC

A Division of 5 Point Fabrication, LLC.
1680 Cornell Road | Green Bay, WI 54313

PHONE (920) 458-2189

FAX (920) 458-8316

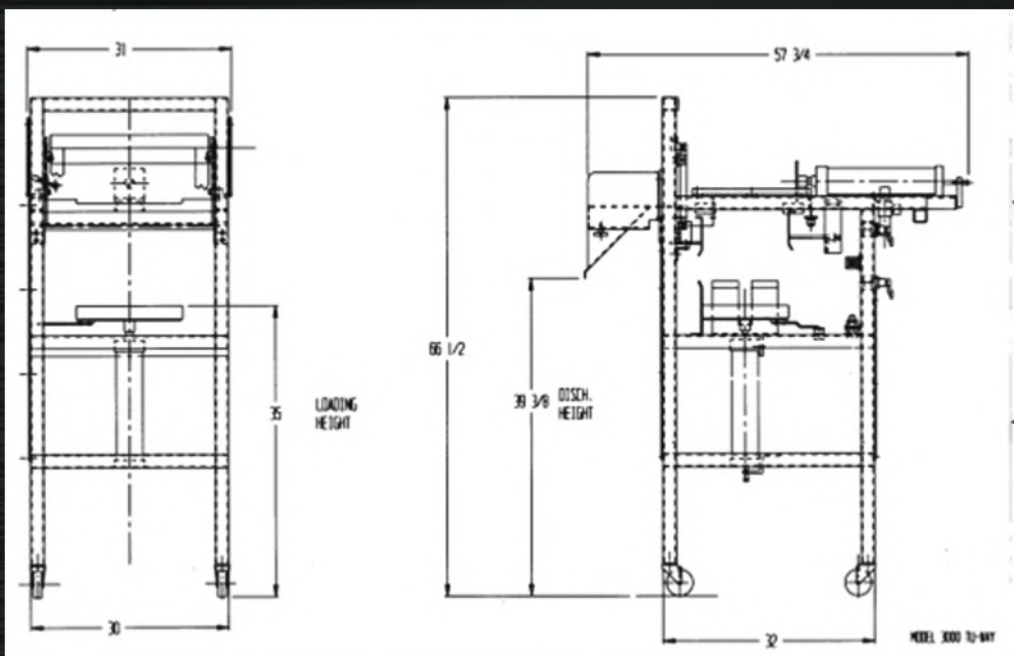
EMAIL Sales@genmac.com



MODEL 3000

TU-WAY AUTOMATIC PORTIONER

- The **TU-WAY Automatic Portioner** is designed to cut cheese blocks or any wire cuttable product into uniform pieces prior to packaging or further processing such as dicing, shredding, melt-down, etc.
- The **TU-WAY** employs two direction cutting, vertical and horizontal. Cheese portions are discharged via a gravity chute or on a level tray. Cutting is done inside a safety bay with a guarded enclosure and sliding lock-out door. Plexi side plates protect the horizontal ram.
- The **TU-WAY** is pneumatically operated using 4 CFM at 80 psi. Cutting harps/frames and platforms are quickly removed and/or interchanged with no tools. Frames are slid into position without tools. Cutting blocks drop onto guide pins. Capacity to 7" x 11" x 14" [18cm x 28cm x 36cm]. Larger capacity machines available.
- Construction is seamless welded 304 stainless steel. Offset paneling facilitates fast clean-up. Swivel casters with individual lockouts are available optionally.
- Shipping weight: 650 lbs. (295kg) Net weight: 500 lbs. (227kg).



WWW.GENMAC.COM