

MODEL 3001PLC

TU-WAY PLC CONTROLLED CHEESE CUTTER



GENMAC

A Division of 5 Point Fabrication, LLC.
1680 Cornell Road | Green Bay, WI 54313

PHONE (920) 458-2189

FAX (920) 458-8316

EMAIL Sales@genmac.com



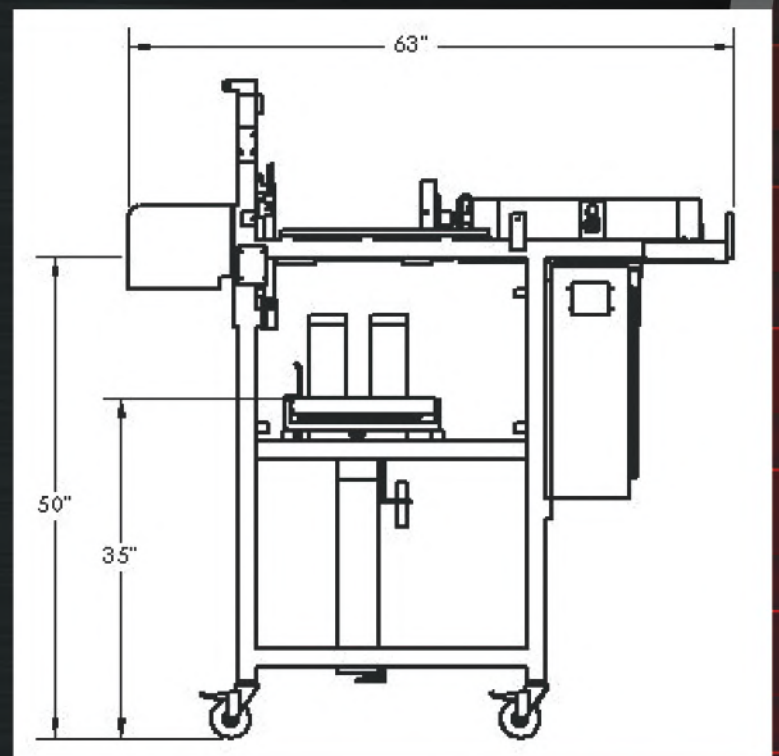
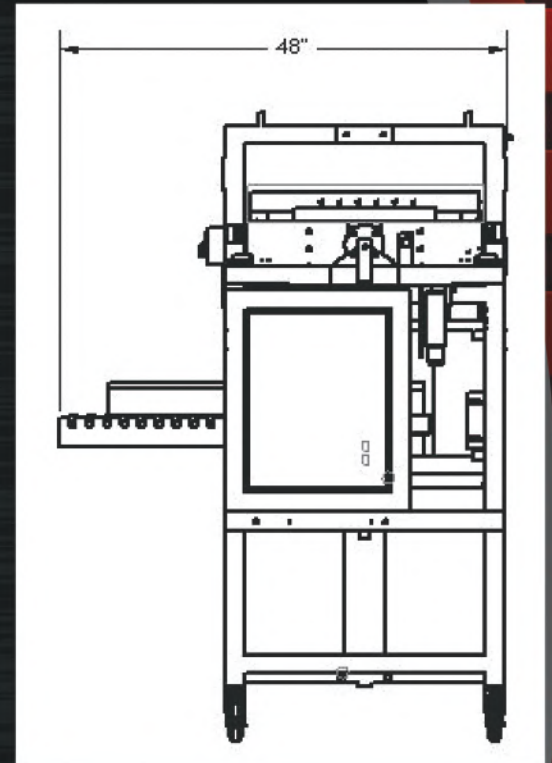
MODEL 3001 PLC

TU-WAY PLC CONTROLLED CHEESE CUTTER

The **MODEL 3001 AUTOMATIC TU-WAY CHEESE CUTTER** is designed to cut cheese blocks up to 7"H x 11"W x 14"L into portions for packaging or further processing.

The main features of this machine are:

- Increased production by minimizing cycle time
- Load cheese blocks while machine is cutting
- Programmable for different cheese types and sizes
- Infeed roller bed
- Cheese positioners



WWW.GENMAC.COM