



HIGH-QUALITY FOOD
PROCESSING EQUIPMENT



WWW.GENMAC.COM | 920-458-2189
1680 CORNELL RD, GREEN BAY, WI 54313



A Division of 5 Point Fabrication LLC

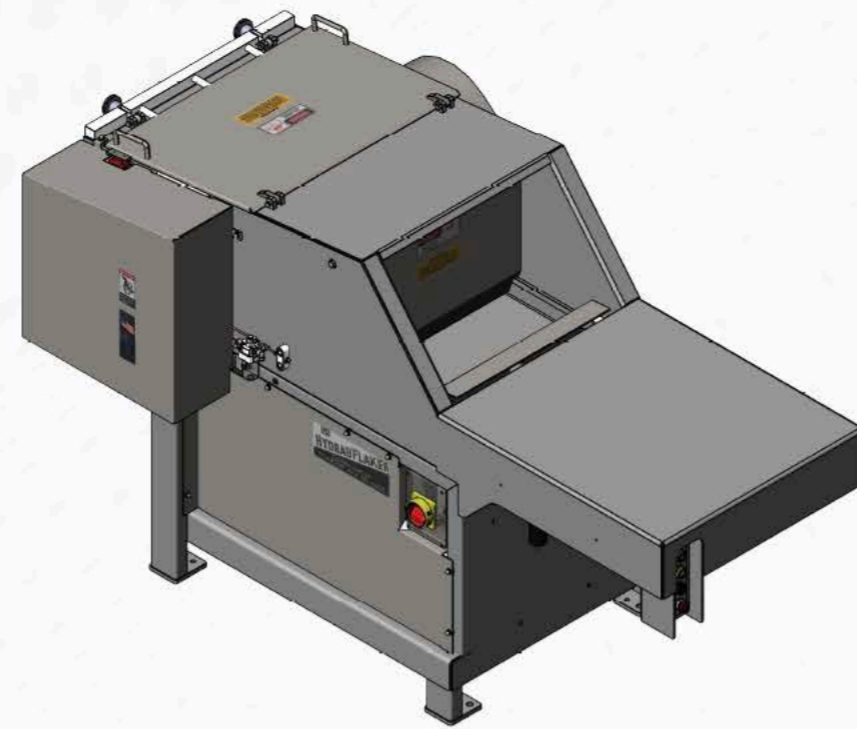
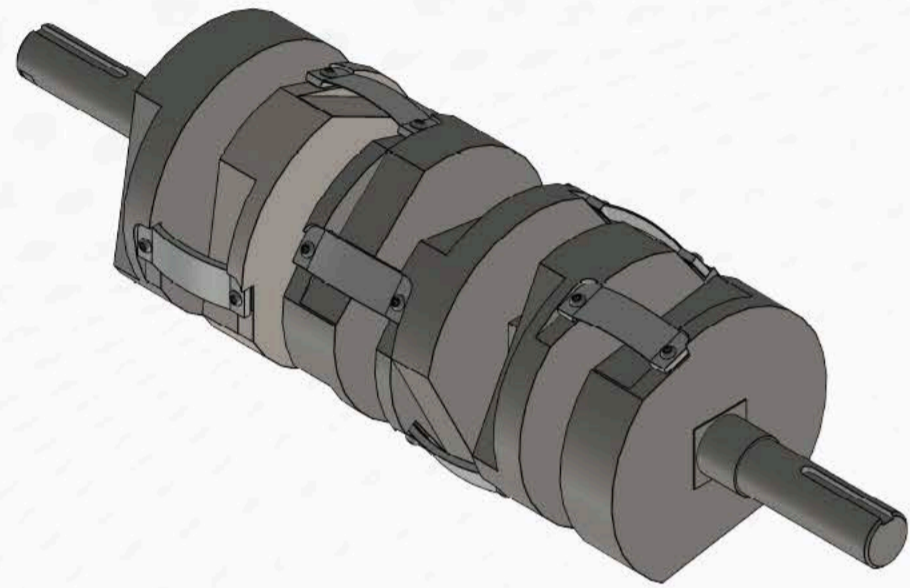
General Machinery Corp (GENMAC) is a worldwide supplier of high-quality food processing equipment. Since 1949, we've been manufacturing and selling durable cheese and meat cutters that you can rely on

WWW.GENMAC.COM | 920-458-2189
1680 CORNELL RD, GREEN BAY, WI 54313

MODEL 2501

HYDRAFLAKER FROZEN MEAT BLOCK FLAKER

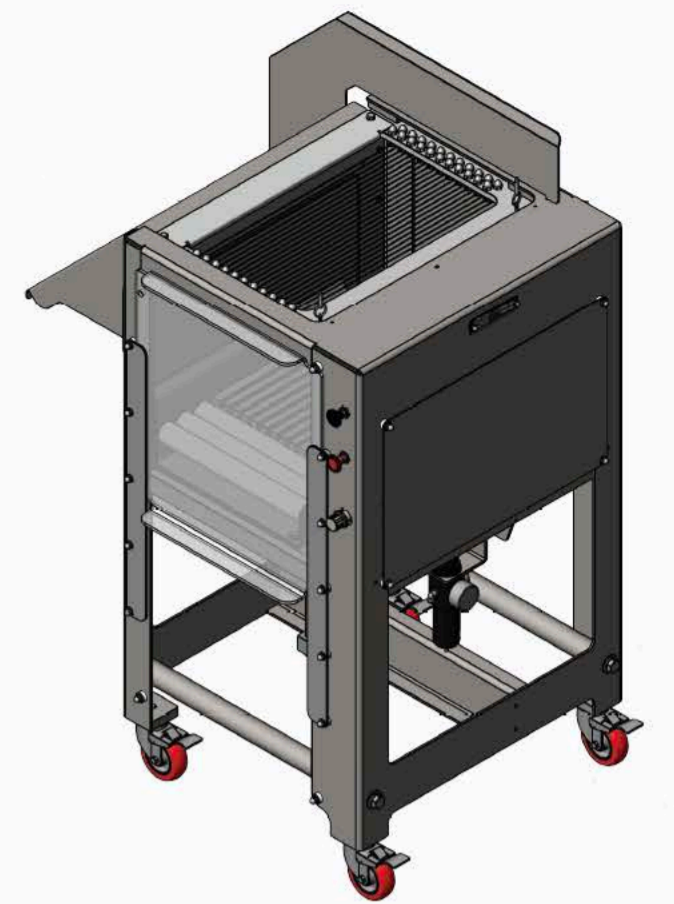
- Capacity of 24" x 24" x 10"
- Production of up to 3 blocks per minute
- Can reduce frozen blocks down to 0 degrees F
- Heavy-duty construction 304 stainless steel
- Low maintenance with easy operation and cleaning
- Machine Footprint - 55" tall x 92" long x 52" wide



MODEL 1805

VERTICAL CUTTER

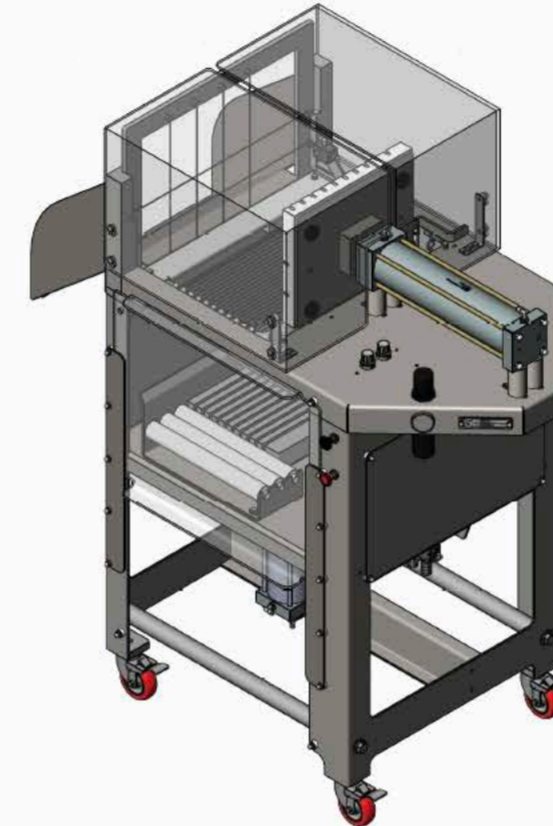
- Cuts cheese blocks or other wire-cuttable products into uniform portions for retail purposes or further processing, such as dicing, shredding, melting, or blending.
- Capacity of up to 14" x 11" x 12"
- Harp is easily removed for cleaning and wire change.
- Comes with an adjustable speed control
- 100% Operated by Air
- Machine Footprint - 54" tall x 38" long x 30" wide.



FLOW THROUGH DRUM

STAINLESS STEEL FLOW THROUGH DRUM

- Available for current users of the models 2501 & 2500 Hydraflakers
- 'Cycle Slice' blades eliminate shredding or clawing.
- 10 Cycle Slice blades mounted on a 12.5" stainless steel flow through drum.



MODEL 3005

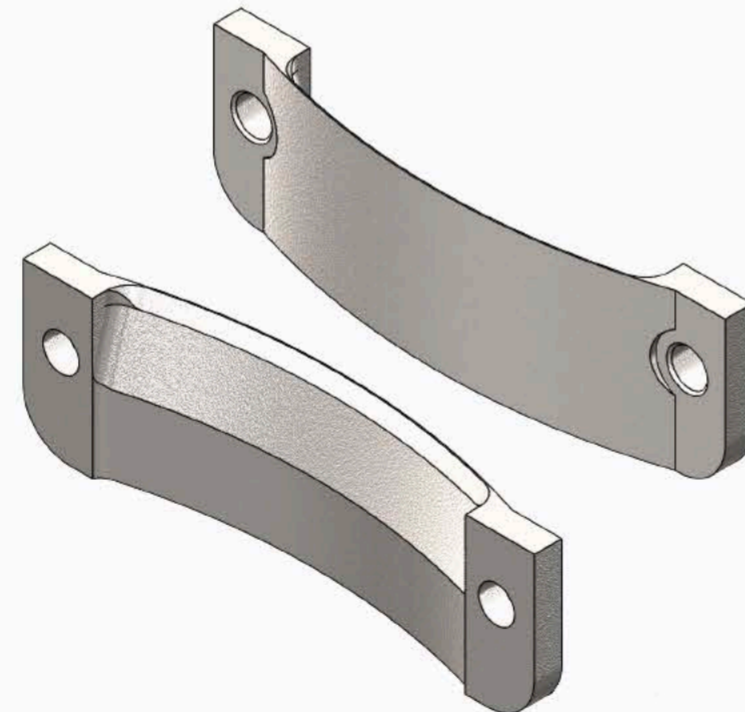
TUWAY

- Cuts cheese blocks or other wire-cuttable products into uniform portions for retail purposes or further processing, such as dicing, shredding, melting, or blending.
- Accurately portions cheese blocks up to 14" x 11" x 12"
- Automatic feed and discharge.
- Cuts up to one 40# block per minute.
- Two direction cutting - vertical and horizontal.
- 100 % Operated by Air
- Machine Footprint - 64" tall x 56" long x 30" wide.

FLAKER BLADES

REPLACEMENT FLAKER BLADES

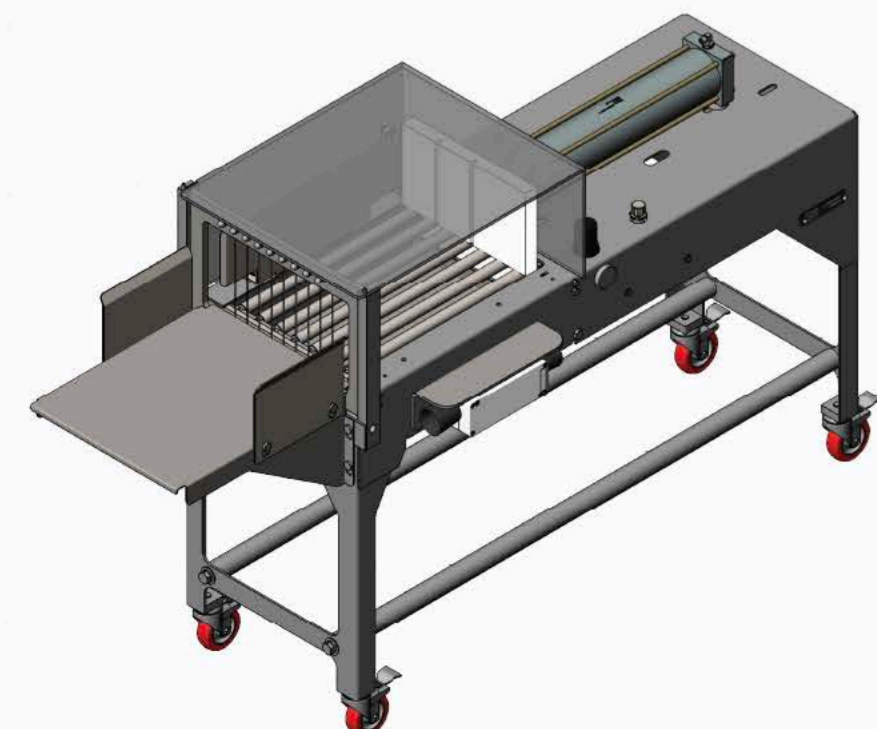
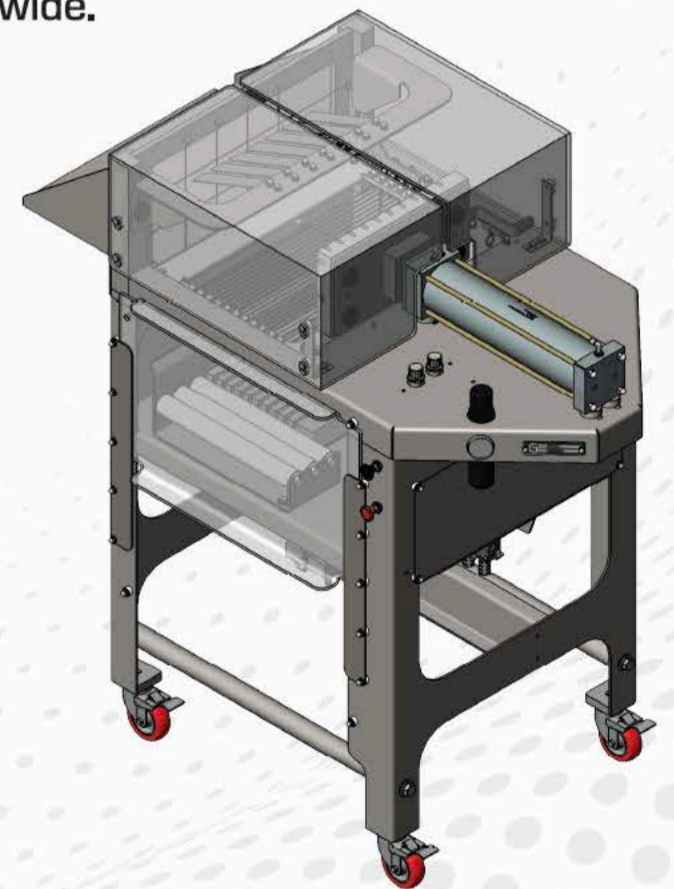
- 'Cycle Slice' blades eliminate shredding or clawing.
- P/N: HFA-120-5
- Fits 2500, 2501 and 3100 models
- We offer sharpening service! To maximize your cutting efficiency and blade life. Send your used blades back to GenMac for precision sharpening.



MODEL 3005-LD

LD TUWAY

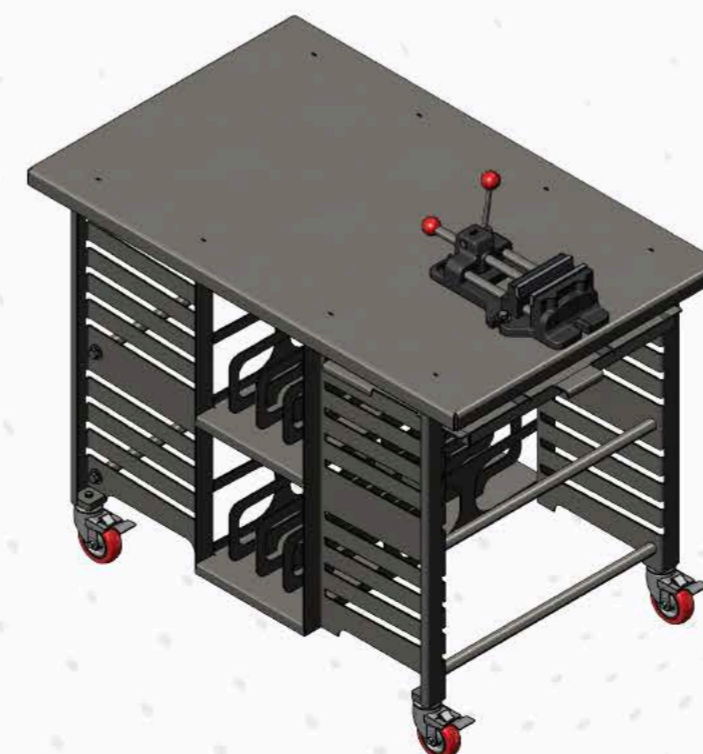
- Cuts cheese blocks or other wire-cuttable products into uniform portions for retail purposes or further processing, such as dicing, shredding, melting, or blending.
- Accurately portions cheese blocks up to 14" x 11" x 7"
- Automatic feed and discharge.
- Cuts up to one 40# block per minute.
- Two direction cutting - vertical and horizontal.
- 100 % Operated by Air
- Machine Footprint - 56" tall x 56" long x 30" wide.



MODEL 1820

HORIZONTAL CUTTER

- Cuts cheese blocks or other wire-cuttable products into uniform portions for retail purposes or further processing, such as dicing, shredding, melting or blending.
- Cuts either the length, width or height, or a combination of length + height / width + height.
- 100% Operated by Air
- Comes with an adjustable speed control.
- Machine Footprint - 45" tall x 77" long x 25" wide.
- Special "butter" version available for product greater than 8" tall.



HARP CART

CUSTOM HARP AND PLATEN CART

- Store, protect & organize your harps!
- Formed & welded stainless steel for durability. Sanitary in design.
- Holds 17 harp frames and 16 plastic platens.
- Locking stainless steel, swivel caster wheels for easy mobility.
- Features a quick-clip, pump action vise with smooth, non-marring jaws to prevent damage and securely hold harps during service & re-wiring.
- Complete with handy storage drawer for extra wire and tools!

